



Airbus Helicopters

Coloring Book

Fun & Games



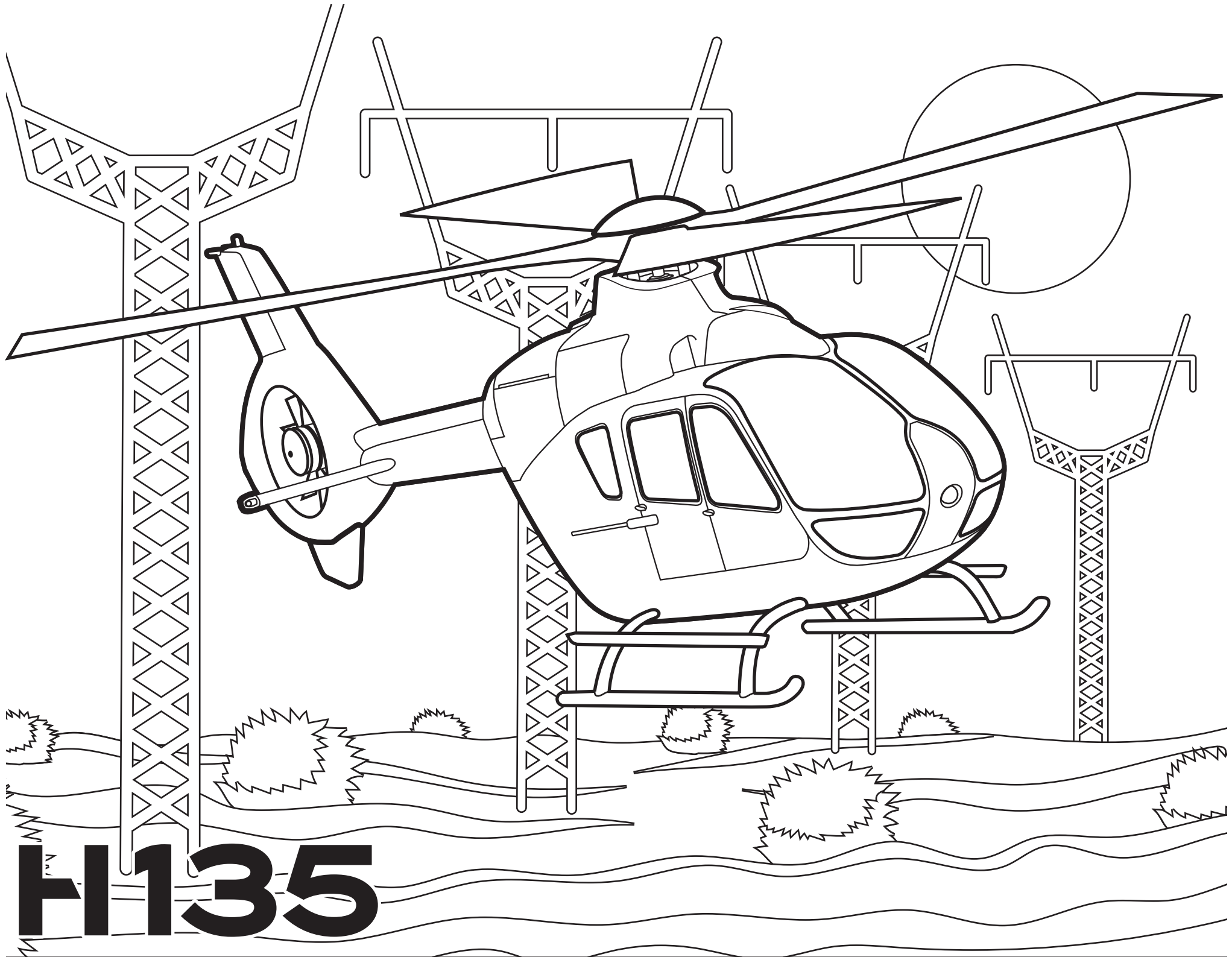
AIRBUS



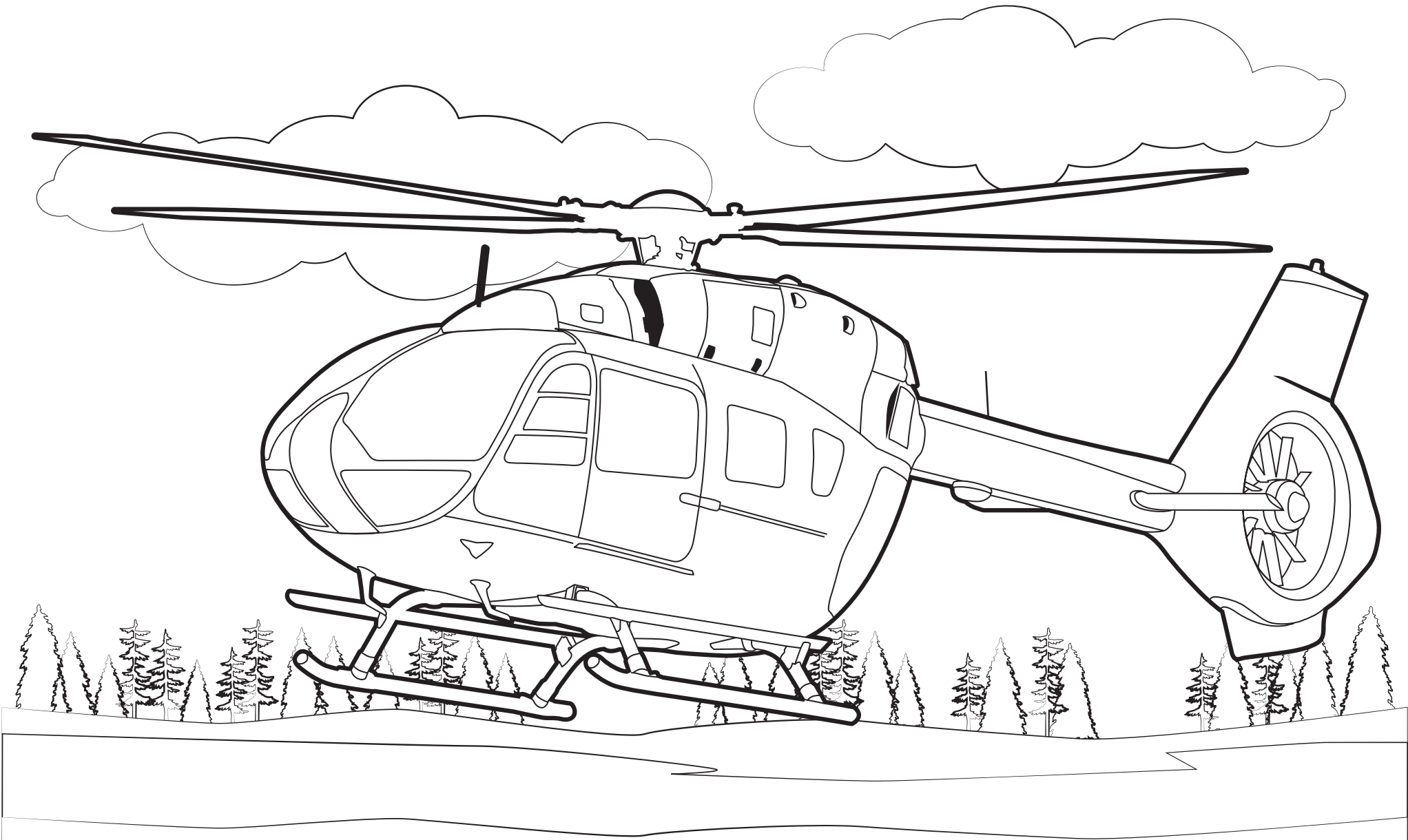
H125



H130



H135



H145



UH-72A



H160



H175

Airbus Helicopters Word Search

C G M I Q Q R F N T O A F R H
 R B U S I N E S S H F B L O S
 B L G A I R B U S E F L Y T D
 A E E W C N Q J A L S I F O O
 X M C D U A G V S I H F B R D
 Y M B U C W S M A C O T J O T
 Z U I U R X F W C O R E S M P
 U G C L L E D N I P E R Z D F
 P N A N I A U A J T Z A U A L
 O G M Z C T N I A E G N T U I
 L H Y A E Z A C L R B G I P G
 I R I K N L M R E S W E L H H
 C K I N R N L Q Y K I V I I T
 E U F X O N E E E T U I T N U
 Z C J V G Y H D T S C W Y E E

Helicopters	Ambulance	Business	Offshore
Military	Ecureuil	Dauphin	Airbus
Unmanned	Gazelle	Police	Range
Utility	Flight	Rotor	Lift

Can you match the aircraft model name to its shape?

Draw a line to connect.

H160



H125



H130



H135



H145



UH-72A



TIC-TAC-TOE

RULES: Take turns drawing Xs and O's. The first one to get three in a row, wins.

EXAMPLE: Xs wins!

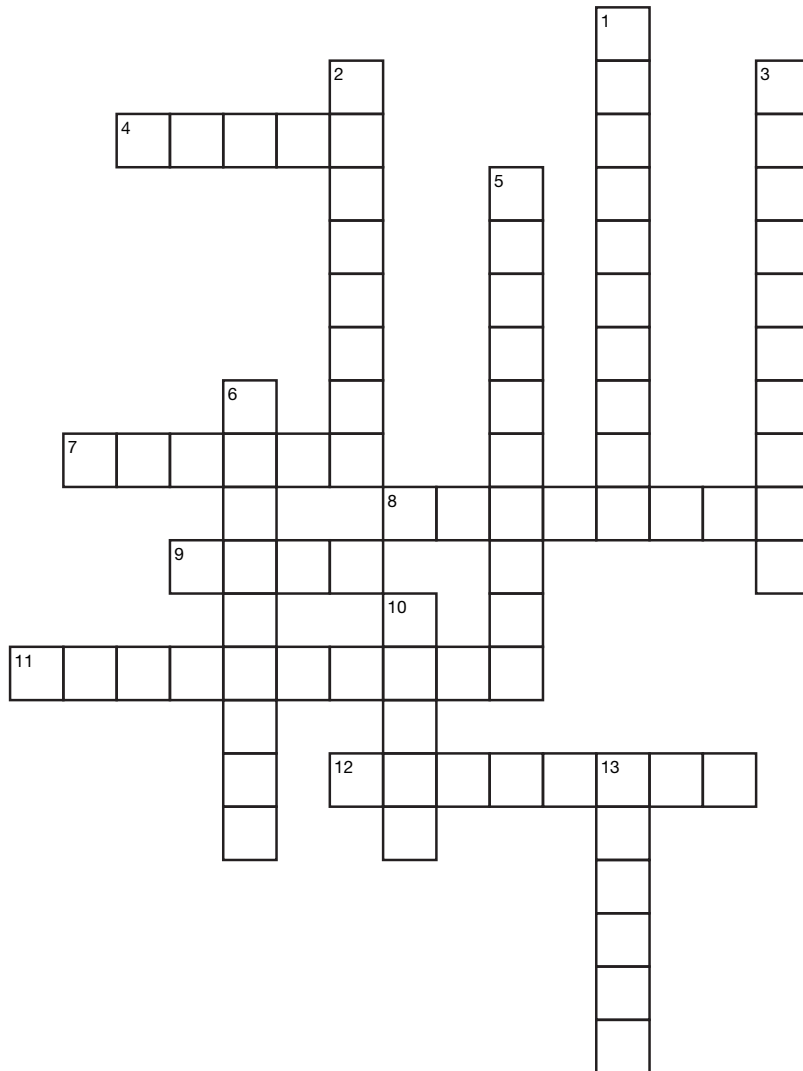
X	O	X
O	X	
X		O



Airbus Helicopters Crossword



NOTE: Younger children may require assistance.



Across:

- Rotary wing that is part of a main rotor system
- Controls main rotor to change the helicopter's direction of movement
- Controls the power of the engine
- When a mass of air is deflected
- Makes changes to the pitch angle of the main rotor blades and does this simultaneously
- Change in direction of air deflected by the aerodynamic action helicopter rotor blade in motion

Down:

- Another word for helicopter
- Individual who maintains helicopter
- Another word for rotorcraft
- System to counteract the force trying to make helicopter rotate
- Flight instrument used to measure the altitude
- Person who flies a helicopter
- Largest helicopter manufacturer in the world

Word Pool:

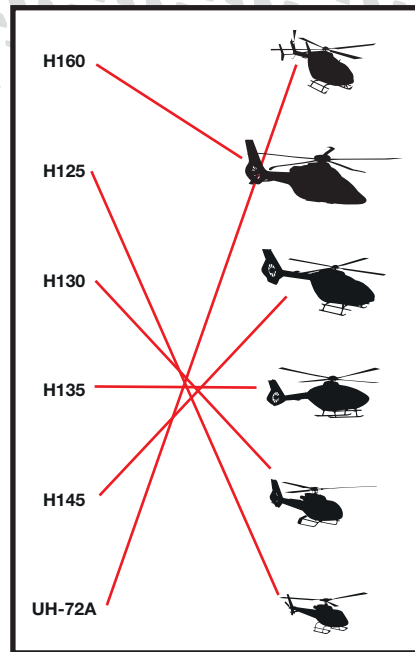
Airbus, Helicopter, Pilot, Downwash, Rotorcraft, Lift, Blade, Mechanic, Collective, Throttle, Antitorque, Cyclic, Altimeter

Word Search Answer Key

C G M I Q Q R F N T O A F R H
 R B U S I N E S S H F B L O S
 B L G A I R B U S E F L Y T D
 A E E W C N Q J A L S I F O O
 X M C D U A G V S I H F B R D
 Y M B U C W S M A C O T J O T
 Z U I U R X F W C O R E S M P
 U G C L L E D N I P E R Z D F
 P N A N I A U A J T Z A U A L
 O G M Z C T N I A E G N T U I
 L H Y A E Z A C L R B G I P G
 I R I K N L M R E S W E L H H
 C K I N R N L Q Y K I V I I T
 E U F X O N E E T U I T N U
 Z C J V G Y H D T S C W Y Q E

Helicopters	Ambulance	Business	Offshore
Military	Ecureuil	Dauphin	Airbus
Unmanned	Gazelle	Police	Range
Utility	Flight	Rotor	Lift

Matching Answer Key



Crossword Answer Key

